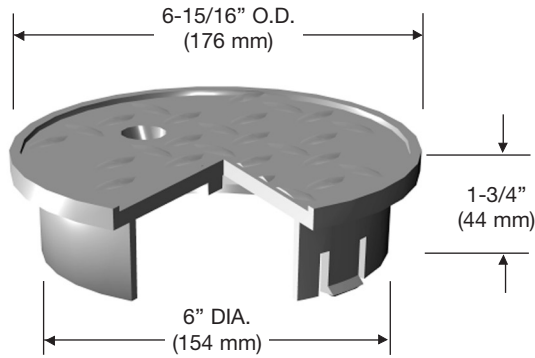


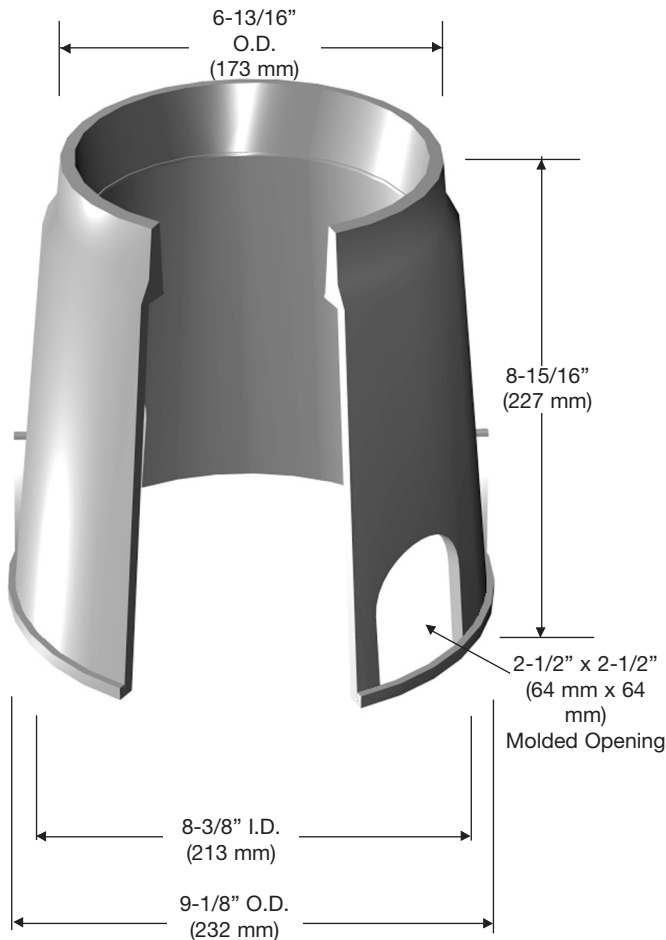
L Series 809

Light Duty



T-Cover

Material: Polyolefin
 Weight: 0.5 lbs.
 Model: 809-4



Body

Material: Polyolefin
 Weight: 2.0 lbs.
 Model: 809-9

Colors Available

Green Body and Cover
 Black Body and Cover

Note: For use in non-vehicular traffic situations only. We do not recommend installation in concrete or asphalt. Weights and dimensions may vary slightly.

L Series 809



Pomona, California
Toll-Free: 800.735.5566
Phone: 909.634.3020
Fax: 800.827.7111

Light Duty

Static Vertical Load Rating (Design Load; Test Load)

- ASTM C857 – A-0.3, 300 lbf/ft²; Report Ultimate
- SCTE – Light Duty, Pedestrian; 3,000 lbf

Shipping Configuration

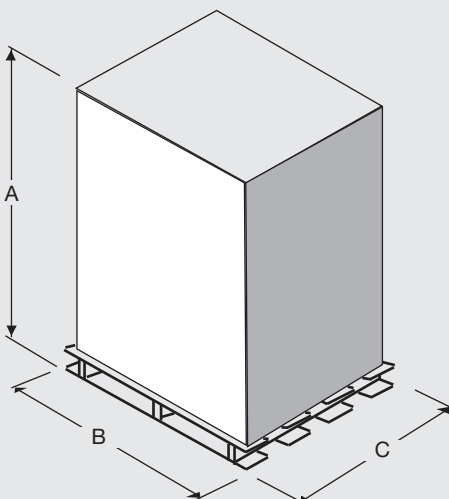
- Unit, 240 assemblies,
= 49.5 cu. ft., 565.0 lbs.

Note: For use in non-vehicular traffic situations only. We do not recommend installation in concrete or asphalt. Weights and dimensions may vary slightly.

Material Property	ASTM Test Method	Typical Value ¹
Type, Class, Category	D 1248	III, A, 3
Density, g/cm ³	D 1505	0.950 min., not to exceed 0.965
Tensile Strength, at break, psi	D 638	3,000 to 4,400
Elongation, at break, %	D 638	400
Tensile Impact, ft-lb/in ²	D 1822	27
Flexural Modulus, psi	D 790	120,000 min., not to exceed 240,000
Low Temperature Brittleness, F50, at °C	D 746	<-76
Hardness, Shore D	D 2240	66
Deflection Temperature, at 66 psi, °F	D 648	150 ⁰ min., not to exceed 200 ⁰
Electrical Dielectric Strength, V/mil	D 149	400 min., not to exceed 600
Molded Product²		
Chemical Resistance	D 543	Very Resistant
Water Absorption	D 570	Less than 1% weight change

¹The values listed for physical property measurements are nominal values only. Certain physical property measurements are subject to variations consistent with the test methods and are within a generally accepted range for such values.
²Test reports available on request.

Shipping Information



Dim.	Description	Value
A	Height	51"
B	Length	40"
C	Width	48"

Units: 240 per pallet
Weight: 640 lbs. per pallet