

DV SERIES VALVES

Features

DV SERIES

- Double-filtered pilot-flow design for maximum reliability
- Balanced-pressure diaphragm for long life
- External bleed to manually flush system of dirt and debris during installation and system start up
- Internal bleed for spray-free manual operation
- Energy efficient, low-power encapsulated solenoid with captured plunger and 90-mesh (200 micron) solenoid filter
- Buna-N diaphragm with self-cleaning 90-mesh (200 micron) pilot water filter and captive spring
- Operates in low-flow and Xerigation® applications when the RBY filter is installed upstream
- 1¼" (3,2 cm) stainless steel phillips head screws
- Accepts latching solenoid for use with Rain Bird battery-operated controllers
- Available as:
 - ¾" (20/27) and 1" (26/34) standard in-line configuration
 - 1" (26/34) Slip-by-Slip (SS) configuration for low cost, solvent-weld installations
 - 1" (26/34) Angle (A) configuration for flexible installations especially when sub-mains are deep
 - 1" (26/34) Male-by-Male (MM) male thread configuration for quick and easy manifolding
 - 1" (26/34) Male-by-Barb (MB) and 1" Male-by-1¼" Barb male thread inlet by barb outlet configuration for installation with poly pipe

DVF SERIES

- Incorporates all features of DV Series valves, plus:
- Unique, easy-to-turn pressure-assisted flow control mechanism

ASVF SERIES

- Combination reliable DVF valve and atmospheric backflow preventer in one unit
- Incorporates all features of DVF Series valves, plus meets I.A.P.M.O. and A.S.S.E. listing specifications, City of Los Angeles and Canadian Standards Association listings approved

- Must be installed at least 6" (15,2 cm) above the highest point of water in the sprinkler pipe it serves
- No valve can be located downstream of the anti-siphon valve
- Consult local codes

Operating Range

- Pressure: 15 to 150 PSI (1,0 to 10,4 Bars)
- 075 DV Flow: 0.2 to 22 GPM (0,05 to 5,0 m³/h; 0,01 to 1,39 l/s); for flows below 3 GPM (0,75 m³/h; 0,21 l/s) or any Xerigation application, use RBY-075-200MX filter installed upstream
- 100-DV Flow: 0.2 to 40 GPM (0,05 to 9,08 m³/h; 0,01 to 2,52 l/s); for flows below 3 GPM (0,75 m³/h; 0,21 l/s) or any Xerigation application, use RBY-100-200MX filter installed upstream
- Temperature: Up to 110° F (43° C)
- Ambient air temperature up to 125° F (52° C)

Electrical Specifications

- 24 VAC 50/60 cycle solenoid power requirement
 - 0.30 A (7.2 VA) inrush current
 - 0.19 A (4.6 VA) holding current
 - Solenoid coil resistance: 54 Ohms

Dimensions

DV SERIES

- Height: 4½" (11,4 cm)
(Angle) 5½" (14 cm)
- Length: 4⅞" (11,1 cm)
(Angle) 3¾" (9,5 cm)
(MM) 5⅝" (13,6 cm)
(MB) 5¾" (14,6 cm)
- Width: 3⅝" (8,4 cm)

DVF SERIES

- Height: 5⅝" (14,2 cm)
(Angle) 5½" (14 cm)
- Length: 4⅞" (11,1 cm)
(Angle) 3¾" (9,5 cm)
(MM) 5⅝" (13,6 cm)
(MB) 5¾" (14,6 cm)
- Width: 3⅝" (8,4 cm)

ASVF SERIES

- Height: 6¼" (15,8 cm)
- Length: 6⅞" (15,5 cm)
- Width: 3⅝" (8,1 cm)



100-DV/DVF



100-DV-MB



100-DVF-MB



125-DV-MB



125-DVF-MB



100-DV-MM



100-DVF-MM



100-DV/DVF-A



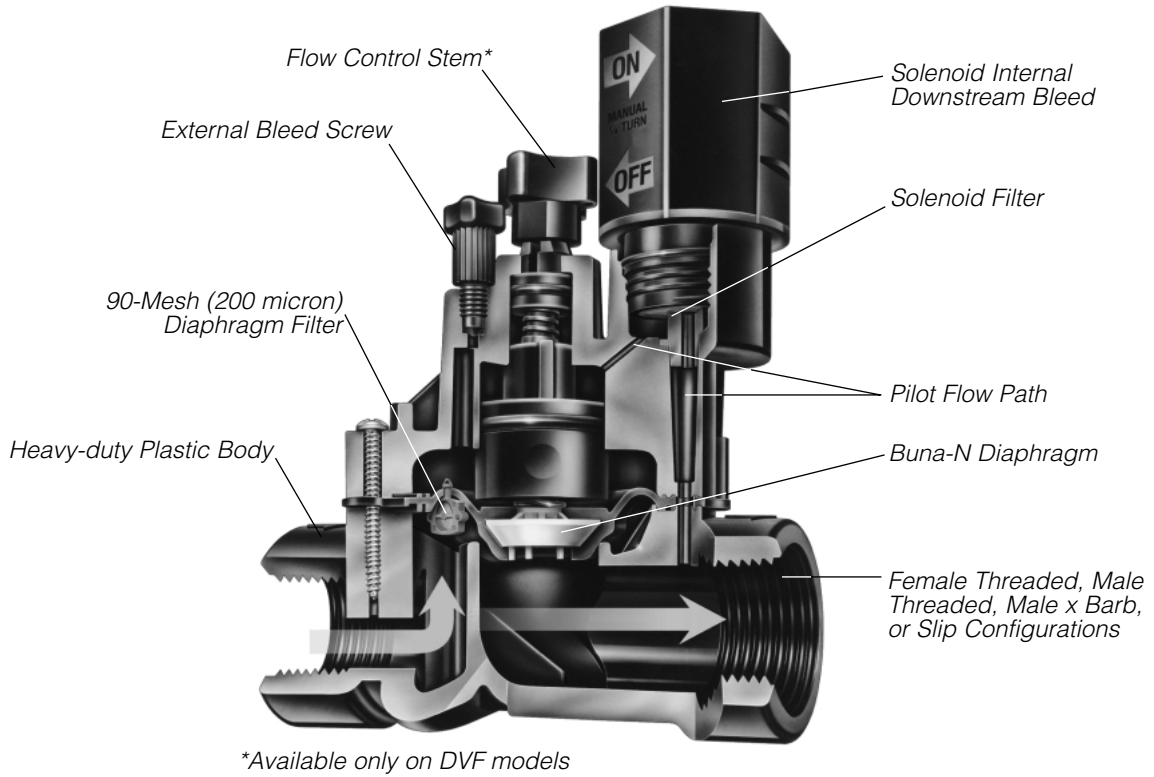
075/100-ASVF

MODELS

- 075-DV: ¾" (20/27)
- 100-DV: 1" (26/34)*
- 100-DV-SS: 1" (26/34)
- 100-DV-A: 1" (26/34)*
- 100-DV-MM: 1" (26/34)*
- 100-DV-MB: 1" (26/34)
- 125-DV-MB: 1" (26/34)M x 1¼" (33/42)B
- 100-DVF: 1" (26/34)*
- 100-DVF-SS: 1" (26/34)
- 100-DVF-A: 1" (26/34)
- 100-DVF-MM: 1" (26/34)*
- 100-DVF-MB: 1" (26/34)
- 125-DVF-MB: 1" (26/34)M x 1¼" (33/42)B
- 075-ASVF: ¾" (20/27)
- 100-ASVF: 1" (26/34)

*Available with BSP threads

100-DVF



DV and DVF

Valve Pressure Loss (PSI)		
Flow (GPM)	075-DV 3/4" (PSI)	100-DV/100-DVF 1" (PSI)
1	2.5	2.2
3	2.5	2.2
5	2.9	2.4
10	3.8	2.7
20	5.1	4.2
30	-	6.1
40	-	9.3

Valve Pressure Loss (Bars)				METRIC	
Flow (m ³ /h)	(l/s)	075-DV 3/4" (Bars)	100-DV/100-DVF 1" (Bars)		
0,25	0,06	0,18	0,15		
0,75	0,21	0,18	0,15		
1,0	0,28	0,20	0,17		
2,0	0,56	0,24	0,19		
5,0	1,39	0,37	0,31		
7,5	2,08	-	0,48		
9,1	2,52	-	0,60		

100-DV/DVF Angle, Male x Barb, and Male x Male

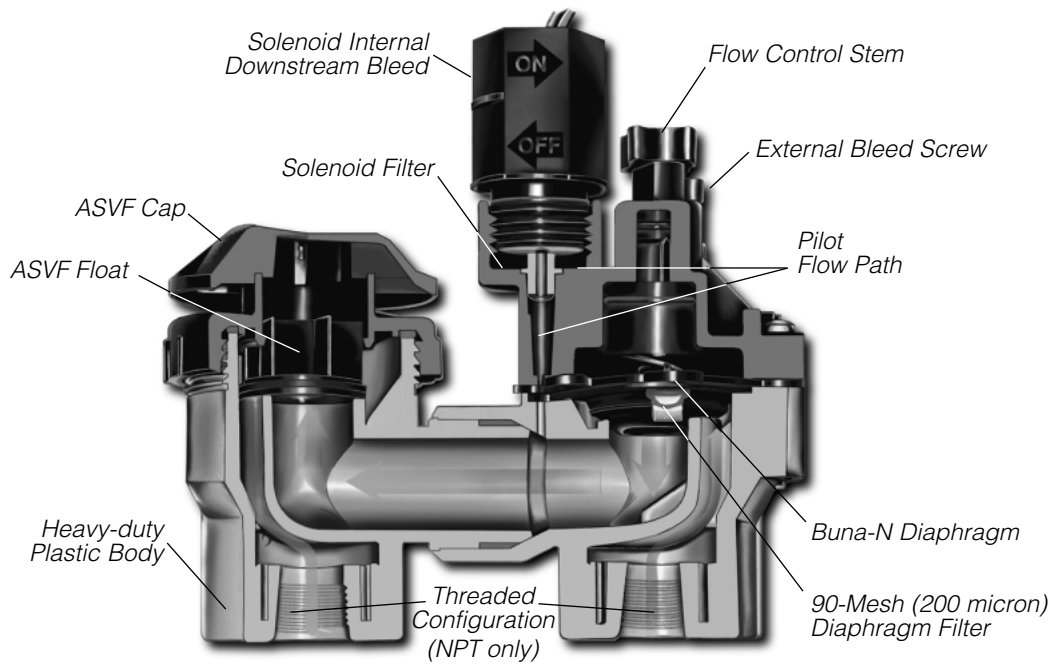
Valve Pressure Loss (PSI)				
Flow (GPM)	Angle 1" (PSI)	Male x Barb 1" (PSI)	Male x Barb 1 1/4" (PSI)	Male x Male 1" (PSI)
1	1.6	2.2	1.3	2.2
3	1.6	2.2	1.3	2.2
5	1.8	2.4	1.5	2.4
10	2.3	2.7	2.7	2.7
20	3.6	5.2	5.2	4.6
30	5.5	10.5	8.6	8.2
40	9.1	18.5	14.2	14.1

Valve Pressure Loss (Bars)					METRIC	
Flow (m ³ /h)	l/s	Angle 1" (Bars)	Male x Barb 1" (Bars)	Male x Barb 1 1/4" (Bars)	Male x Male 1" (Bars)	
0,25	0,06	0,12	0,15	0,09	0,15	
0,75	0,21	0,12	0,15	0,09	0,15	
1,0	0,28	0,13	0,17	0,10	0,17	
2,0	0,56	0,16	0,19	0,19	0,19	
5,0	1,39	0,27	0,36	0,36	0,32	
7,5	2,08	0,45	0,72	0,59	0,57	
9,1	2,52	0,60	1,27	0,98	0,97	

Note: See Xerigation® Section for RBY Filter Flow loss data.

- 1) Rain Bird® recommends flow rates in supply line not to exceed 7.5 ft/sec (2,3 m/s) in order to reduce the effects of water hammer.
- 2) DV Series Valves cannot be used with PRS pressure regulating modules.
- 3) DV/DVF Male x Male and Male x Barb not recommended for flows exceeding 30 GPM (6,8 m³/h/1,9 l/s).

Anti-siphon Valve 100-ASVF



ASVF

Valve Pressure Loss (PSI)		
Flow (GPM)	075-ASVF $\frac{3}{4}$ " (PSI)	100-ASVF 1" (PSI)
1	3.6	3.1
3	3.6	3.1
5	4.2	4.0
10	5.7	5.4
20	8.6	7.3
30	-	10.3
40	-	15.9

Valve Pressure Loss (Bars)				METRIC
Flow (m ³ /h)	(l/s)	075-ASVF $\frac{3}{4}$ " (Bars)	100-ASVF 1" (Bars)	
0,25	0,06	0,25	0,22	
0,75	0,21	0,25	0,22	
1,0	0,28	0,28	0,25	
2,0	0,56	0,35	0,34	
5,0	1,39	0,60	0,50	
7,5	2,08	-	0,72	
9,1	2,52	-	1,10	

NOTE: See Xerigation® Section for RBY Filter Flow loss data.

1) Rain Bird® recommends flow rates in supply line not to exceed 7.5 ft/sec (2,3 m/s) in order to reduce the effects of water hammer.



Specifications

075-DV, 100-DV, 100-DV-SS, 100-DV-A, 100-DV-MM, 100-DV-MB, 125-DV-MB ELECTRIC REMOTE CONTROL VALVES

The valve shall be normally closed 24 VAC 50/60 cycle solenoid actuated, balanced pressure type capable of a flow rate of _____ GPM (l/s; m³/h) with a pressure loss not to exceed _____ psi (Bars). The valve pressure rating shall not be less than 150 psi (10.4 Bars). The valve body and bonnet shall be constructed of high impact weather resistant plastic, stainless steel and other chemical/UV resistant materials. The valve shall have a one unit diaphragm constructed of durable Buna-N rubber material with a clog resistant metering orifice. The valve shall have one 90-mesh (200 micron) pilot filter attached to the diaphragm. The valve shall have one fully encapsulated solenoid with captured plunger. The valve shall have one 90-mesh (200 micron) filter attached to the solenoid base.

The valve body shall have one of the following: a ¾" globe configuration (20/27) or 1" (26/34) (FNPT) inlet and outlet; a 1" slip x slip inlet and outlet for solvent pipe connection; a 1" angle configuration with 1" (26/34) (FNPT); a 1" (26/34) (MNPT) inlet and outlet; a 1" (26/34) (MNPT) inlet and 1" barb outlet configuration (NPT only); or a 1" (26/34) (MNPT) inlet and 1¼" barb outlet configuration.

The valve shall be actuated by a low power 0.30 A (7.2 VA) in-rush current and 0.19 A (4.6VA) holding current. The valve shall be capable of on/off control by turning the solenoid ¼ turn. The valve shall provide a flush mode that is manually activated by ½ turn of the bleed screw where external porting is permissible.

The valve shall be as such to provide for all internal parts to be removable from the top of the valve without disturbing the valve installation.

The remote control valve shall be manufactured by Rain Bird Sprinkler Mfg. Corp., Glendora, California.

100-DVF, 100-DVF-SS, 100-DVF-A, 100-DVF-MM, 100-DVF-MB, 125-DVF-MB ELECTRIC REMOTE CONTROL VALVE WITH FLOW CONTROL

Optional Feature Specifications

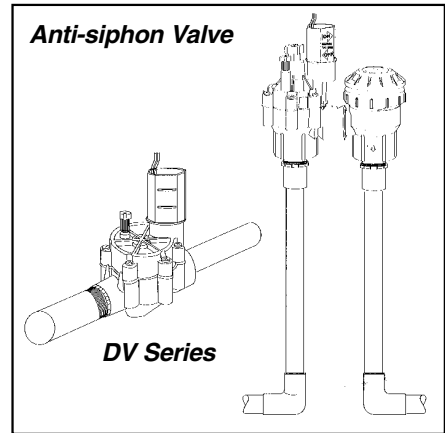
When so indicated on the design, the DVF valve shall have all the specifications of the DV Series remote control valve plus a unique, easy-to-turn pressure-assisted flow control mechanism.

The remote control valve with flow control shall be as manufactured by Rain Bird Sprinkler Mfg. Corp., Glendora, California.

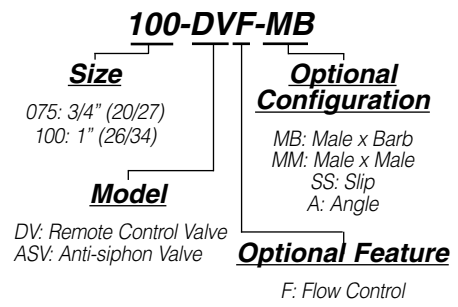
075-ASVF, 100-ASVF ELECTRIC REMOTE CONTROL VALVE WITH FLOW CONTROL AND ATMOSPHERIC BACKFLOW PREVENTER

When so indicated on the design, the ASVF valve shall have all the specifications as the DVF Series remote control valve plus an atmospheric backflow preventer. The remote control valve shall include as one unit an electric remote control valve and atmospheric backflow preventer. The valve shall have a patented, easy-to-turn, pressure-assisted flow control mechanism. The valve shall meet I.A.P.M.O. and A.S.S.E. listing specifications and be City of Los Angeles and Canadian Standards Association listings approved.

The combination remote control valve and atmospheric backflow preventer shall be as manufactured by Rain Bird Sprinkler Mfg., Corp., Glendora, California.



How to Specify/Order:



Note: For non-U.S. applications it is necessary to specify NPT or BSP thread type (1" only)

Rain Bird Corporation, Contractor Division
970 West Sierra Madre Avenue, Azusa, CA 91702
Phone: (626) 963-9311 Fax: (626) 812-3411

Rain Bird Corporation, Commercial Division
6640 South Bonney Avenue, Tucson, AZ 85706
Phone: (520) 434-6200 Fax: (520) 434-6289

Rain Bird International, Inc.
145 North Grand Avenue, Glendora, CA 91741
Phone: (626) 963-9311 Fax: (626) 963-4287

Rain Bird Technical Service
(800) 247-3782 (U.S. only)

www.rainbird.com

Rain Bird. Conserving More Than Water.

© Registered trademark of Rain Bird Sprinkler Mfg. Corp.
© 2001 Rain Bird Sprinkler Mfg. Corp. 3/01

D38511K