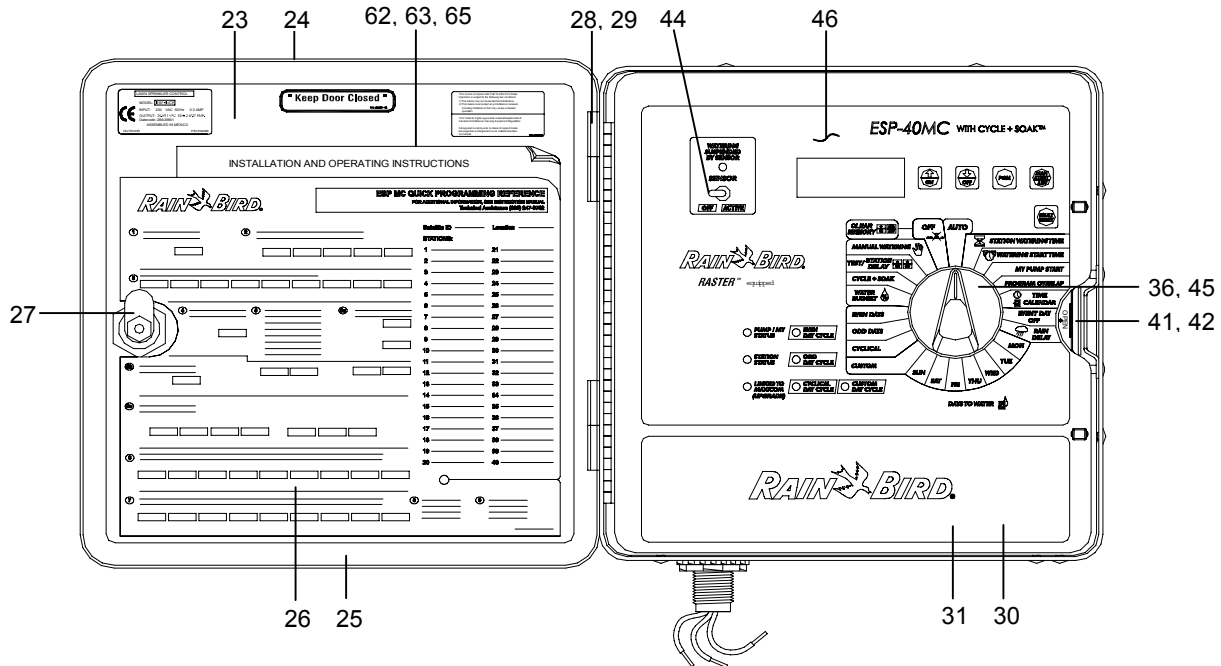


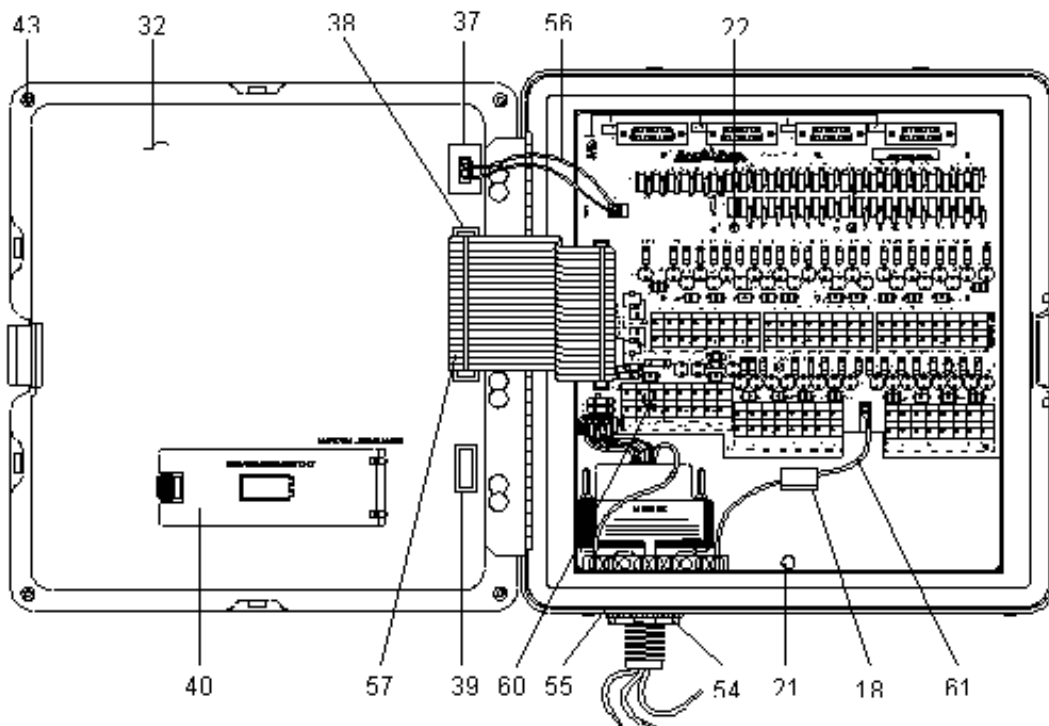
ESP-8MC / ESP-12MC / ESP-16MC / ESP-24MC / ESP-32MC / ESP-40MC

ESP-8MC-P / ESP-12MC-P / ESP-16MC-P / ESP-24MC-P / ESP-32MC-P / ESP-40MC-P

ESP-MC Front Panel in Closed Position

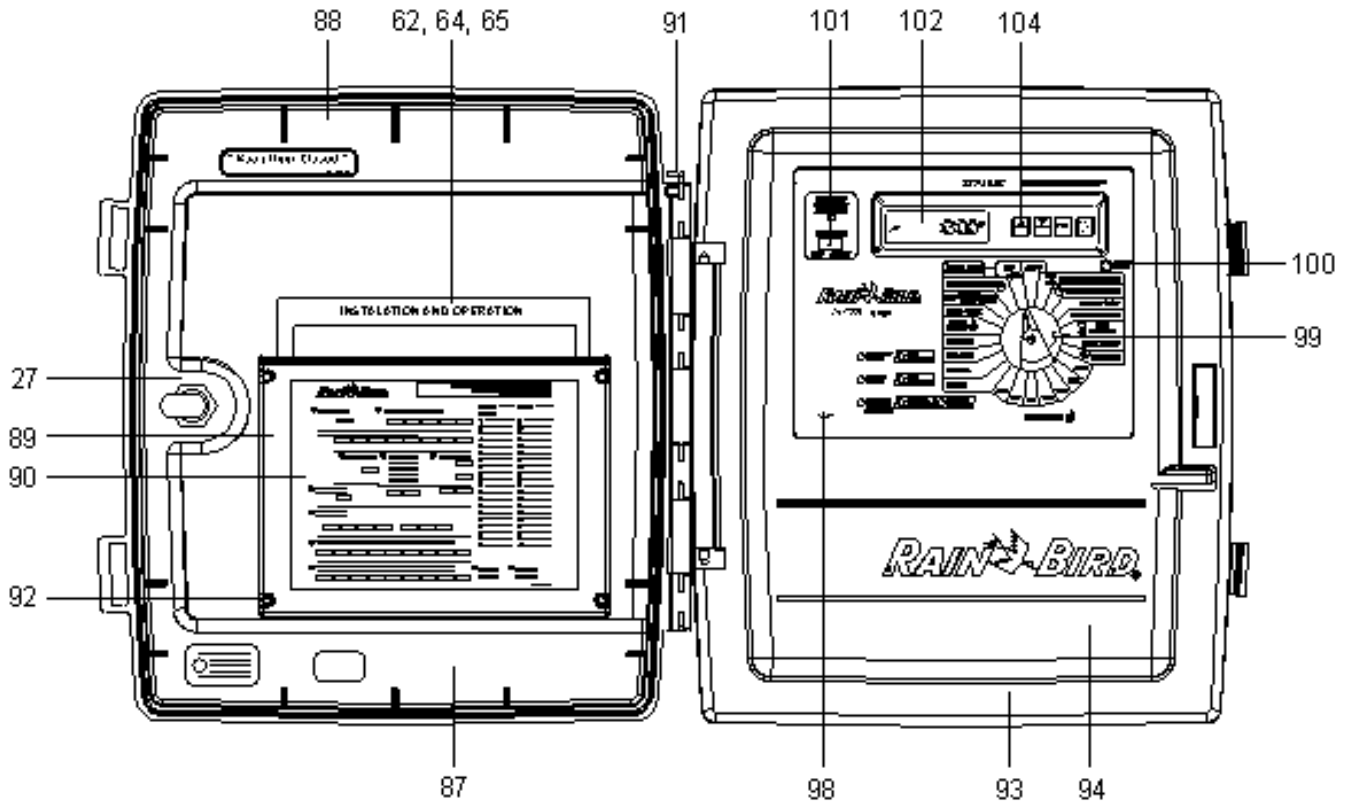


ESP-MC Front Panel in Open Position

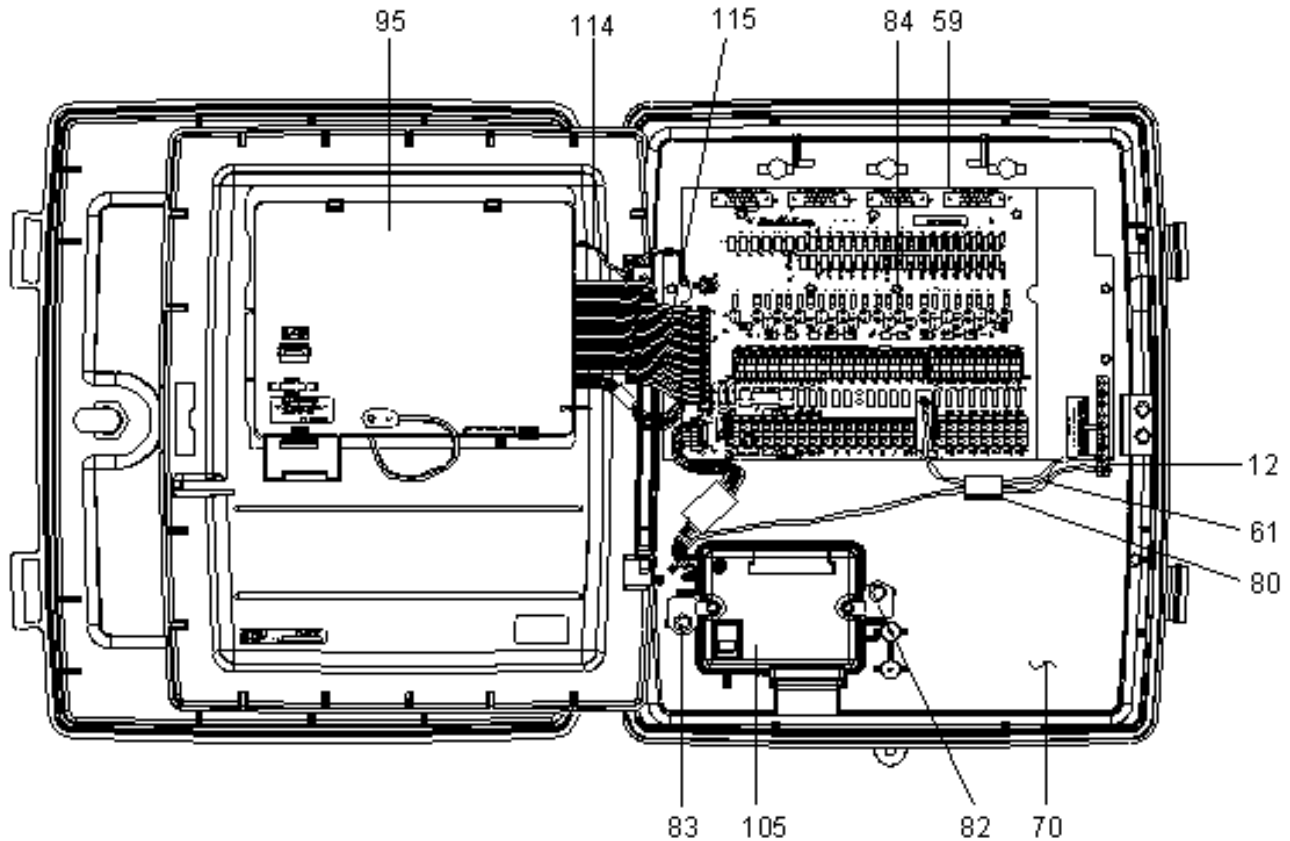


Note: Part numbers enclosed in brackets () are not available individually, but may be sold in assemblies or kits.

ESP-MC-P Front Panel & Door Assemblies - Front Panel in Closed Position



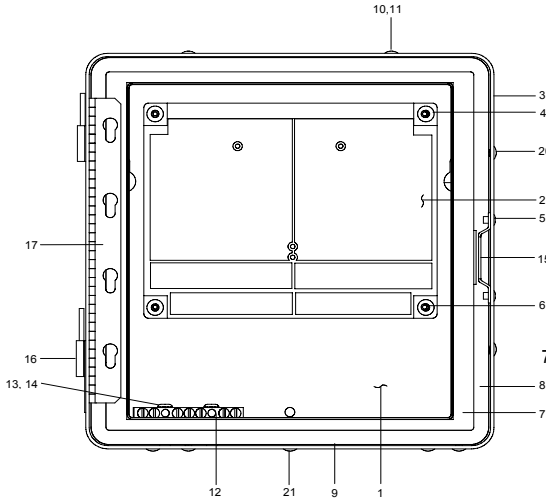
ESP-MC-P Front Panel & Door Assemblies - Front Panel in Open Position



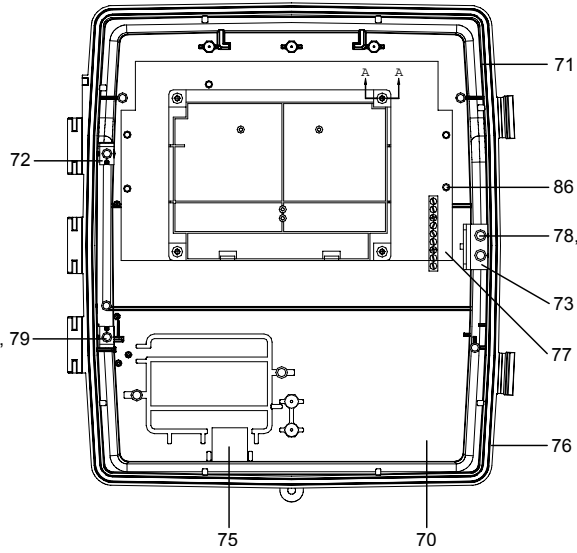
ESP-8MC / ESP-12MC / ESP-16MC / ESP-24MC / ESP-32MC / ESP-40MC

ESP-8MC-P / ESP-12MC-P / ESP-16MC-P / ESP-24MC-P / ESP-32MC-P / ESP-40MC-P

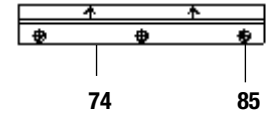
ESP-MC Cabinet Assembly



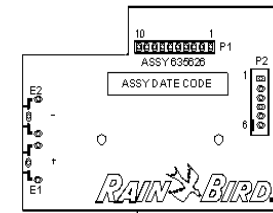
ESP-MC-P Cabinet Assembly



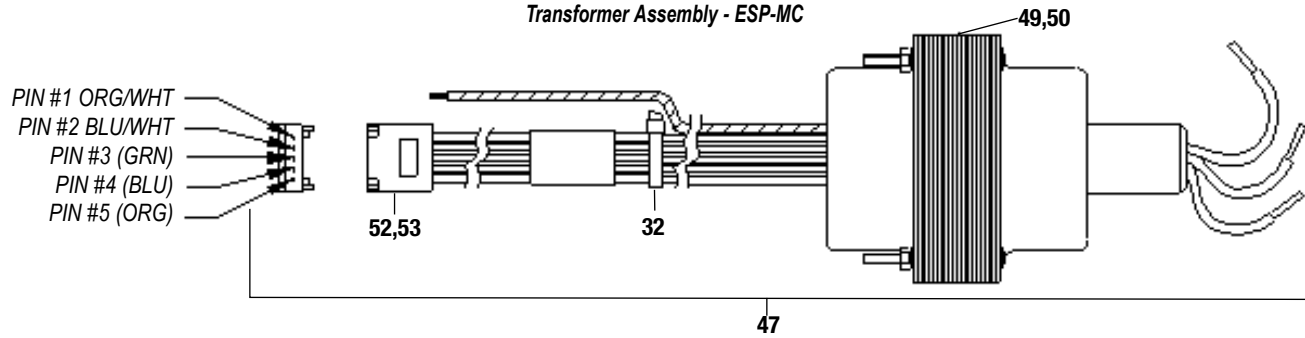
Bracket Wall-Mount Assembly



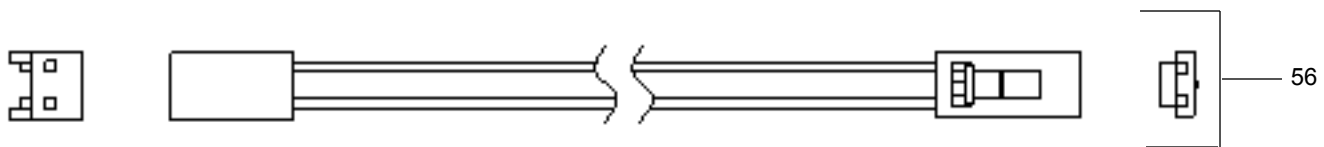
ESP-MC Battery Board Assembly



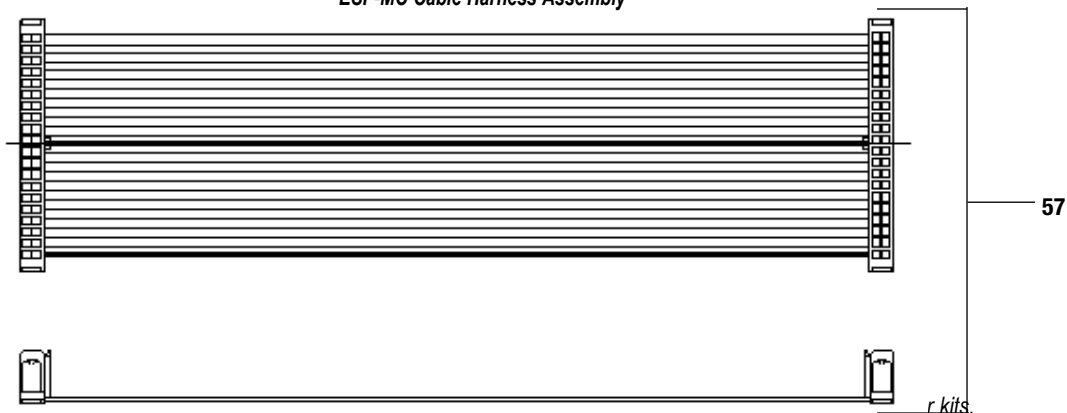
Transformer Assembly - ESP-MC



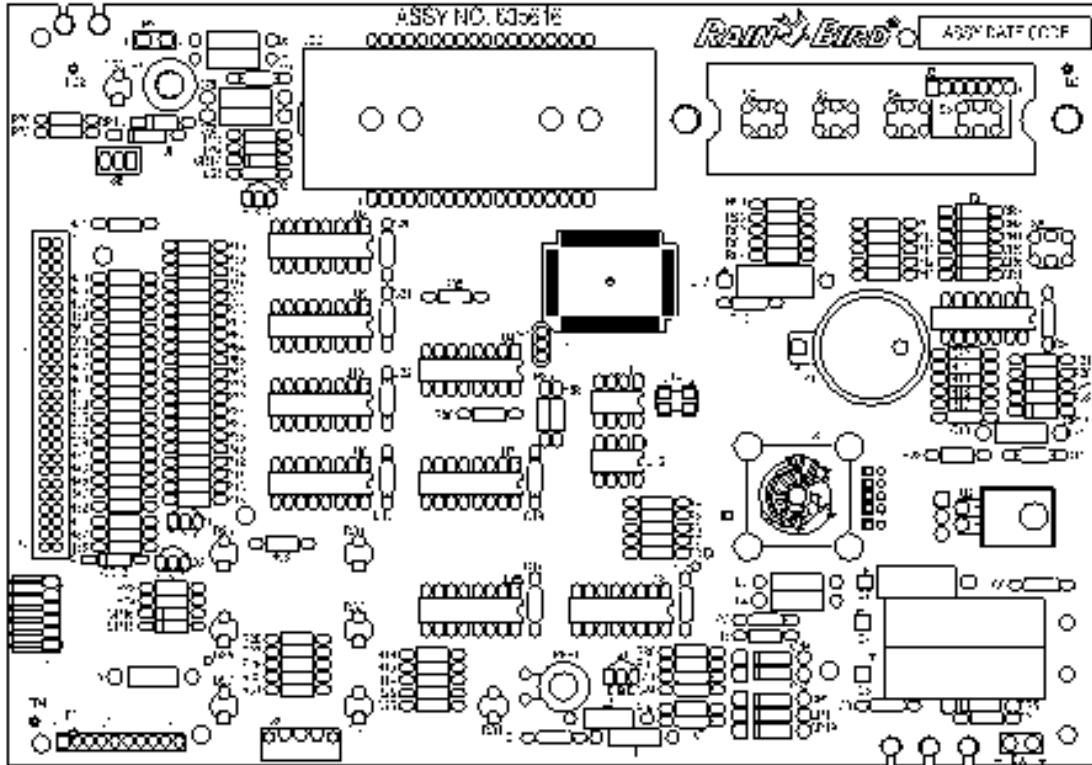
ESP-MC Sensor Cable Assembly



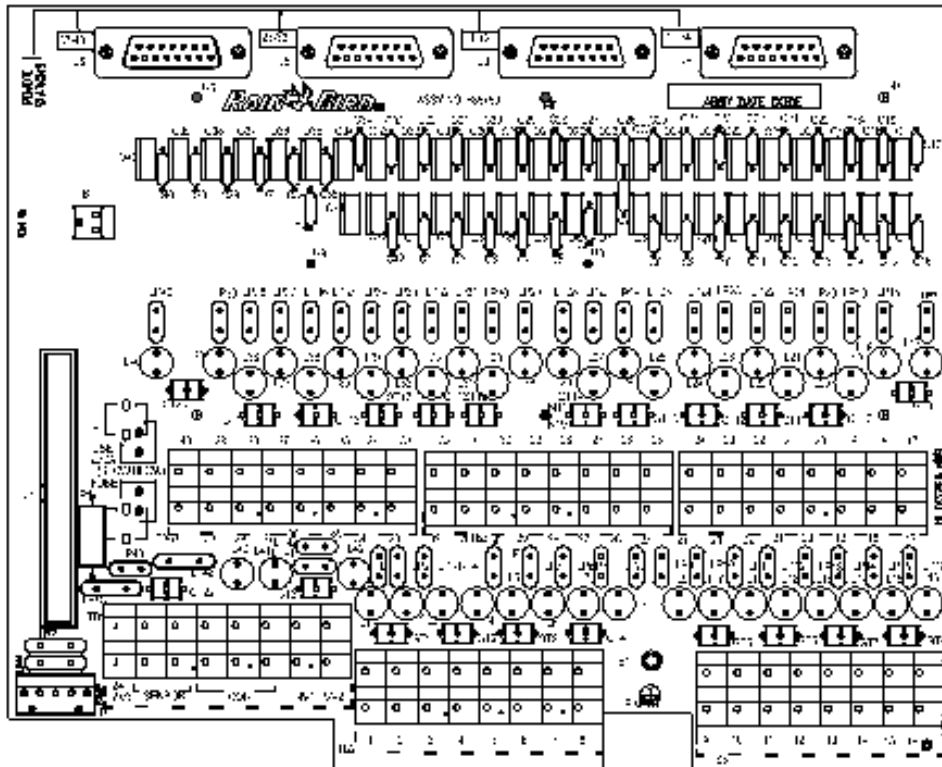
ESP-MC Cable Harness Assembly



Control PWB Assembly



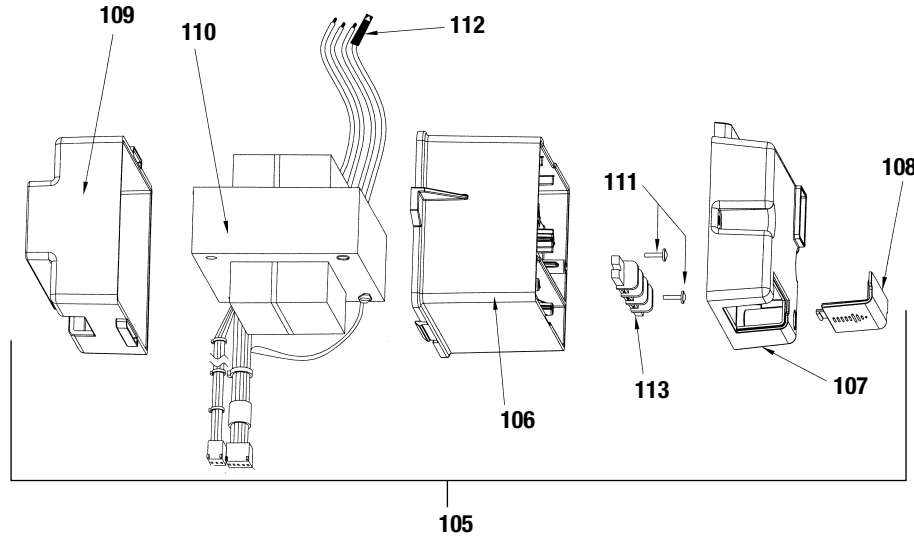
Terminal PWB Assembly



Note: Part numbers enclosed in brackets () are not available individually, but may be sold in assemblies or kits.

ESP-8MC / ESP-12MC / ESP-16MC / ESP-24MC / ESP-28MC / ESP-32MC / ESP-36MC / ESP-40MC
 ESP-8MC-P/ ESP-12MC-P/ ESP-16MC-P/ ESP-24MC-P / ESP-32MC-P/ ESP-40MC-P

Enclosure, Transformer Assembly – ESP-MC-P



Ref	Description	Qty	ESP-8MC	ESP-12MC	ESP-16MC	ESP-24MC	ESP-28MC	ESP-32MC	ESP-36MC	ESP-40MC
ESP-MC CABINET & DOOR ASSY. COMPLETE										
		1	K02221	K02221	K02221	K02221	K02221	K02221	K02221	K02221
1	ESP-MC CABINET ASSEMBLY	1	(633583)	(633583)	(633583)	(633583)	(633583)	(633583)	(633583)	(633583)
2	Spacer, Terminal Board	1	(631919)	(631919)	(631919)	(631919)	(631919)	(631919)	(631919)	(631919)
3	Cabinet, Draw Formed	1	(634126-03)	(634126-03)	(634126-03)	(634126-03)	(634126-03)	(634126-03)	(634126-03)	(634126-03)
4	Washer, Flat #10	4	(650023-13)	(650023-13)	(650023-13)	(650023-13)	(650023-13)	(650023-13)	(650023-13)	(650023-13)
5	Rivet Semitubular Oval Head	6	(650401)	(650401)	(650401)	(650401)	(650401)	(650401)	(650401)	(650401)
6	Rivet Blind	4	(650434-13)	(650434-13)	(650434-13)	(650434-13)	(650434-13)	(650434-13)	(650434-13)	(650434-13)
7	Seal, Panel-Frame	1	(635590)	(635590)	(635590)	(635590)	(635590)	(635590)	(635590)	(635590)
8	Frame	1	(635591)	(635591)	(635591)	(635591)	(635591)	(635591)	(635591)	(635591)
9	Seal, Frame-Cabinet	1	(635592)	(635592)	(635592)	(635592)	(635592)	(635592)	(635592)	(635592)
10	Fastener, Push-in	8	(651594)	(651594)	(651594)	(651594)	(651594)	(651594)	(651594)	(651594)
11	Washer, Fastener Seal Push-in	8	(635634)	(635634)	(635634)	(635634)	(635634)	(635634)	(635634)	(635634)
12	Grounding Bar	1	(651440)	(651440)	(651440)	(651440)	(651440)	(651440)	(651440)	(651440)
13	Washer, #8 Lock External Tooth	2	(650163-03)	(650163-03)	(650163-03)	(650163-03)	(650163-03)	(650163-03)	(650163-03)	(650163-03)
14	Screw, #8-32x.625 Pan Head	2	(650106-46)	(650106-46)	(650106-46)	(650106-46)	(650106-46)	(650106-46)	(650106-46)	(650106-46)
15	Strike, Lock	1	(635744)	(635744)	(635744)	(635744)	(635744)	(635744)	(635744)	(635744)
16	Hinge, Male	2	(629227-01)	(629227-01)	(629227-01)	(629227-01)	(629227-01)	(629227-01)	(629227-01)	(629227-01)
17	Hinge, Panel	1	(635593)	(635593)	(635593)	(635593)	(635593)	(635593)	(635593)	(635593)
18	Wire Clip	1	(651446-02)	(651446-02)	(651446-02)	(651446-02)	(651446-02)	(651446-02)	(651446-02)	(651446-02)
19	Corrosion Inhibitor Foam	1	(651331)	(651331)	(651331)	(651331)	(651331)	(651331)	(651331)	(651331)
20	Plug Hole, .187 Nylon White	2	(650485-02)	(650485-02)	(650485-02)	(650485-02)	(650485-02)	(650485-02)	(650485-02)	(650485-02)
21	Plug Hole, .250 Nylon White	4	(650485-04)	(650485-04)	(650485-04)	(650485-04)	(650485-04)	(650485-04)	(650485-04)	(650485-04)
22	Screw, Hi-Lo #7-19x1/2 Pan Head	3	(650183-63)	(650183-63)	(650183-63)	(650183-63)	(650183-63)	(650183-63)	(650183-63)	(650183-63)
ESP-MC DOOR ASSEMBLY										
23	ESP-MC DOOR ASSEMBLY	1	(635740-09)	(635740-09)	(635740-09)	(635740-09)	(635740-09)	(635740-09)	(635740-09)	(635740-09)
24	Door Painted Gray	1	(629113-03)	(629113-03)	(629113-03)	(629113-03)	(629113-03)	(629113-03)	(629113-03)	(629113-03)
25	Gasket "D" Shape	1	(651573)	(651573)	(651573)	(651573)	(651573)	(651573)	(651573)	(651573)
26	Pocket, Door	1	(633174)	(633174)	(633174)	(633174)	(633174)	(633174)	(633174)	(633174)
27	Lock, Cam	1	650755	650755	650755	650755	650755	650755	650755	650755
28	Hinge, Female	2	(635745)	(635745)	(635745)	(635745)	(635745)	(635745)	(635745)	(635745)
29	Rivet, Semitubular Oval Head	4	(650401)	(650401)	(650401)	(650401)	(650401)	(650401)	(650401)	(650401)
ESP-MC FRONT PANEL ASSY										
30	ESP-MC FRONT PANEL ASSY	1	K01618	K01718	K01818	K01918	K02018	K02118	K02418	K02218
31	Front Panel	1	(635584)	(635584)	(635584)	(635584)	(635584)	(635584)	(635584)	(635584)
32	Back Cover	1	(635588)	(635588)	(635588)	(635588)	(635588)	(635588)	(635588)	(635588)

Note: Part numbers enclosed in brackets () are not available individually, but may be sold in assemblies or kits.



ESP-8MC / ESP-12MC / ESP-16MC / ESP-24MC / ESP-32MC / ESP-40MC
 ESP-8MC-P/ ESP-12MC-P/ ESP-16MC-P/ ESP-24MC-P / ESP-32MC-P/ ESP-40MC-P

Ref	Description	Qty	ESP-8MC	ESP-12MC	ESP-16MC	ESP-24MC	ESP-28MC	ESP-32MC	ESP-36MC	ESP-40MC
33	Seal Panel	1	(635587)	(635587)	(635587)	(635587)	(635587)	(635587)	(635587)	(635587)
34	Control Board Assembly	1	(635616-01)	(635616-02)	(635616-03)	(635616-04)	(635616-07)	(635616-05)	(635616-08)	(635616-06)
35	Battery Board Assembly	1	(635626-01)	(635626-01)	(635626-01)	(635626-01)	(635626-01)	(635626-01)	(635626-01)	(635626-01)
36	Knob, Function Selector	1	630946	630946	630946	630946	630946	630946	630946	630946
37	Gasket, Sensor Connector	1	(635733)	(635733)	(635733)	(635733)	(635733)	(635733)	(635733)	(635733)
38	Gasket, Flat Cable Connector	1	(635734)	(635734)	(635734)	(635734)	(635734)	(635734)	(635734)	(635734)
39	Gasket, Maxicom Connector	1	(635735)	(635735)	(635735)	(635735)	(635735)	(635735)	(635735)	(635735)
40	Door, Battery	1	(635589)	(635589)	(635589)	(635589)	(635589)	(635589)	(635589)	(635589)
41	Latch	1	(635620)	(635620)	(635620)	(635620)	(635620)	(635620)	(635620)	(635620)
42	Spring Latch	1	(651609)	(651609)	(651609)	(651609)	(651609)	(651609)	(651609)	(651609)
43	Screw, #4-24x5/16 Washer Head	4	(650563-23)	(650563-23)	(650563-23)	(650563-23)	(650563-23)	(650563-23)	(650563-23)	(650563-23)
44	Boot, Sensor Switch	1	(635632)	(635632)	(635632)	(635632)	(635632)	(635632)	(635632)	(635632)
45	Boot, Rotary Switch	1	(635633)	(635633)	(635633)	(635633)	(635633)	(635633)	(635633)	(635633)
46	Overlay, Membrane Switch	1	(635594-01)	(635594-02)	(635594-03)	(635594-04)	(635594-07)	(635594-05)	(635594-08)	(635594-06)
47	Transformer Assembly 60 Hz	1	633148-01	633148-01	633148-01	633148-01	633148-01	633148-01	633148-01	633148-01
48	Transformer Assembly 50 Hz	1	633148-02	633148-02	633148-02	633148-02	633148-02	633148-02	633148-02	633148-02
49	Transformer 120 Volts	1	(633146)	(633146)	(633146)	(633146)	(633146)	(633146)	(633146)	(633146)
50	Transformer 230 Volts	1	(633147)	(633147)	(633147)	(633147)	(633147)	(633147)	(633147)	(633147)
51	Cable Tie, Nylon 7/8 Bundle	1	650131	650131	650131	650131	650131	650131	650131	650131
52	Housing Crimp Terminal 5 Circ.	1	(650873-02)	(650873-02)	(650873-02)	(650873-02)	(650873-02)	(650873-02)	(650873-02)	(650873-02)
53	Terminal Crimp Molex	5	(650323)	(650323)	(650323)	(650323)	(650323)	(650323)	(650323)	(650323)
54	Locknut Conduit	1	(628013)	(628013)	(628013)	(628013)	(628013)	(628013)	(628013)	(628013)
55	Washer Lock External Tooth	1	(651389)	(651389)	(651389)	(651389)	(651389)	(651389)	(651389)	(651389)
CABLE ASSEMBLIES ESP-MC										
56	Cable Sensor Assembly	1	(635624-01)	(635624-01)	(635624-01)	(635624-01)	(635624-01)	(635624-01)	(635624-01)	(635624-01)
57	Cable Assembly Ribbon	1	(635622)	(635622)	(635622)	(635622)	(635622)	(635622)	(635622)	(635622)
58	Control PWB Assy ESP-MC	1	(635616-01)	(635616-02)	(635616-03)	(635616-04)	(635616-07)	(635616-05)	(635616-08)	(635616-06)
C3,8,9,10,14										
16,17,20,24	Capacitor, .1uF, 50V	9	(650085-55)	(650085-55)	(650085-55)	(650085-55)	(650085-55)	(650085-55)	(650085-55)	(650085-55)
C21	Capacitor, 1uF, 50V	1	-	(650085-55)	(650085-55)	(650085-55)	(650085-55)	(650085-55)	(650085-55)	(650085-55)
C22	Capacitor, 1uF, 50V	1	-	-	-	(650085-55)	(650085-55)	(650085-55)	(650085-55)	(650085-55)
C18	Capacitor, 1uF, 50V	1	-	-	-	-	(650085-55)	(650085-55)	(650085-55)	(650085-55)
C19	Capacitor, 1uF, 50V	1	-	-	-	-	-	-	(650085-55)	(650085-55)
C1,2,11,23,25	Capacitor, .01uF, 100V	5	(650882-01)	(650882-01)	(650882-01)	(650882-01)	(650882-01)	(650882-01)	(650882-01)	(650882-01)
C4	Capacitor Elect. 1000uF, 25V	1	(651054-12)	(651054-12)	(651054-12)	(651054-12)	(651054-12)	(651054-12)	(651054-12)	(651054-12)
C5	Capacitor Elect. 330uF, 25V	1	(650624)	(650624)	(650624)	(650624)	(650624)	(650624)	(650624)	(650624)
C6	Capacitor NPO	1	(650833-13)	(650833-13)	(650833-13)	(650833-13)	(650833-13)	(650833-13)	(650833-13)	(650833-13)
C7,15	Capacitor Elect. 47uF, 10V	2	(650044-03)	(650044-03)	(650044-03)	(650044-03)	(650044-03)	(650044-03)	(650044-03)	(650044-03)
CR1,5,19	Diode, 1N4002	6	(650077-02)	(650077-02)	(650077-02)	(650077-02)	(650077-02)	(650077-02)	(650077-02)	(650077-02)
VR1	Diode Zener, 1N5232B	1	(650038-71)	(650038-71)	(650038-71)	(650038-71)	(650038-71)	(650038-71)	(650038-71)	(650038-71)
CR6	Diode Switch, 1N4148	1	650037-01	650037-01	650037-01	650037-01	650037-01	650037-01	650037-01	650037-01
CR7	Diode Switch, 1N4148	1	-	650037-01	-	-	650037-01	-	650037-01	650037-01
CR8	Diode Switch, 1N4148	1	-	-	650037-01	650037-01	650037-01	-	650037-01	-
CR9	Diode Switch, 1N4148	1	-	-	-	-	650037-01	650037-01	650037-01	650037-01
CR10	Diode Switch, 1N4148	1	-	-	-	-	-	-	-	-
CR11,18	Diode Switch, 1N4148	8	650037-01	650037-01	650037-01	650037-01	650037-01	650037-01	650037-01	650037-01
DS1-DS8	Led, Red .200 Centers	8	650910	650910	650910	650910	650910	650910	650910	650910
L1-L7	Inductor Ferrite	7	650300-05	650300-05	650300-05	650300-05	650300-05	650300-05	650300-05	650300-05
P2	Sensor Cable	1	(635623-01)	(635623-01)	(635623-01)	(635623-01)	(635623-01)	(635623-01)	(635623-01)	(635623-01)
Q1,Q2	Transistor PNP	2	650369	650369	650369	650369	650369	650369	650369	650369
Q3,Q4	Transistor PNP 625 mW	2	650367	650367	650367	650367	650367	650367	650367	650367
R2	Resistor 1/4 W, 3.3k Ohms	1	(650079-85)	(650079-85)	(650079-85)	(650079-85)	(650079-85)	(650079-85)	(650079-85)	(650079-85)
R19,91	Resistor 1/4 W, 10k Ohms	2	(650079-97)	(650079-97)	(650079-97)	(650079-97)	(650079-97)	(650079-97)	(650079-97)	(650079-97)
R3,74,										
75,96,97	Resistor 1/4 W, 220k Ohms	5	(650080-30)	(650080-30)	(650080-30)	(650080-30)	(650080-30)	(650080-30)	(650080-30)	(650080-30)
R20,21,22,84,										
87,88,89,90	Resistor 1/4 W, 4.7k Ohms	8	650079-89	650079-89	650079-89	650079-89	650079-89	650079-89	650079-89	650079-89

Note: Part numbers enclosed in brackets () are not available individually, but may be sold in assemblies or kits.



ESP-8MC / ESP-12MC / ESP-16MC / ESP-24MC / ESP-32MC / ESP-40MC

ESP-8MC-P/ ESP-12MC-P/ ESP-16MC-P/ ESP-24MC-P / ESP-32MC-P/ ESP-40MC-P

Ref	Description	Qty	ESP-8MC	ESP-12MC	ESP-16MC	ESP-24MC	ESP-28MC	ESP-32MC	ESP-36MC	ESP-40MC
R4-16,73,										
81,82,93,94	Resistor 1/4 W, 100k Ohms	18	(650080-22)	(650080-22)	(650080-22)	(650080-22)	(650080-22)	(650080-22)	(650080-22)	(650080-22)
R18,80,83,86	Resistor 1/4 W, 47k Ohms	4	(650080-14)	(650080-14)	(650080-14)	(650080-14)	(650080-14)	(650080-14)	(650080-14)	(650080-14)
R95,R17	Resistor 1/4 W, 1k Ohms	2	(650079-73)	(650079-73)	(650079-73)	(650079-73)	(650079-73)	(650079-73)	(650079-73)	(650079-73)
R23,R85	Resistor 1/4 W, 10 Ohms	2	(650079-25)	(650079-25)	(650079-25)	(650079-25)	(650079-25)	(650079-25)	(650079-25)	(650079-25)
R25-R31	Resistor 1/4 W, 470 Ohms	7	(650079-65)	(650079-65)	(650079-65)	(650079-65)	(650079-65)	(650079-65)	(650079-65)	(650079-65)
R24,32,										
98,49,56	Resistor 1/4 W, 150 Ohms	11	(650079-53)	(650079-53)	(650079-53)	(650079-53)	(650079-53)	(650079-53)	(650079-53)	(650079-53)
R57-60	Resistor 1/4 W, 150 Ohms	4	-	(650079-53)	(650079-53)	(650079-53)	(650079-53)	(650079-53)	(650079-53)	(650079-53)
R61-64	Resistor 1/4 W, 150 Ohms	4	-	-	(650079-53)	(650079-53)	(650079-53)	(650079-53)	(650079-53)	(650079-53)
R65-72	Resistor 1/4 W, 150 Ohms	8	-	-	-	(650079-53)	(650079-53)	(650079-53)	(650079-53)	(650079-53)
R33-36	Resistor 1/4 W, 150 Ohms	4	-	-	-	-	(650079-53)	(650079-53)	(650079-53)	(650079-53)
R37-40	Resistor 1/4 W, 150 Ohms	4	-	-	-	-	-	(650079-53)	(650079-53)	(650079-53)
R41-44	Resistor 1/4 W, 150 Ohms	4	-	-	-	-	-	-	(650079-53)	(650079-53)
R45-48	Resistor 1/4 W, 150 Ohms	4	-	-	-	-	-	-	-	(650079-53)
R78,79	Resistor 1/4 W, 150 Ohms	2	(650202-73)	(650202-73)	(650202-73)	(650202-73)	(650202-73)	(650202-73)	(650202-73)	(650202-73)
S7	Switch, Rotary	1	(630609)	(630609)	(630609)	(630609)	(630609)	(630609)	(630609)	(630609)
TS1	Transorb Bi-Directional P6KE6.8	1	(650595-01)	(650595-01)	(650595-01)	(650595-01)	(650595-01)	(650595-01)	(650595-01)	(650595-01)
U1	Microcomp, Toshiba, OTP	1	(633088)	(633088)	(633088)	(633088)	(633088)	(633088)	(633088)	(633088)
U2	Regulator, Low Dropout, L4947H	1	(650962)	(650962)	(650962)	(650962)	(650962)	(650962)	(650962)	(650962)
(U2)	Rivet, Blind Dome .125 Dia.	1	(650139-05)	(650139-05)	(650139-05)	(650139-05)	(650139-05)	(650139-05)	(650139-05)	(650139-05)
(U2)	Washer, flat #5	1	(650023-03)	(650023-03)	(650023-03)	(650023-03)	(650023-03)	(650023-03)	(650023-03)	(650023-03)
U3	I.C. Quad OP AMP, LM324	1	650358	650358	650358	650358	650358	650358	650358	650358
U4	3-8 Line Decoder, 74HC259	1	650699	650699	650699	650699	650699	650699	650699	650699
U5,U8	8 Bit Addressable Latch, 74HC259	2	650889	650889	650889	650889	650889	650889	650889	650889
U9	8 Bit Addressable Latch, 74HC259	1	-	650889	650889	650889	650889	650889	650889	650889
U10	8 Bit Addressable Latch, 74HC259	1	-	-	-	650889	650889	650889	650889	650889
U6	8 Bit Addressable Latch, 74HC259	1	-	-	-	-	650889	650889	650889	650889
U7	8 Bit Addressable Latch, 74HC259	1	-	-	-	-	-	650889	650889	650889
U11	I.C. Real Time Clock, DS1302	1	(651011)	(651011)	(651011)	(651011)	(651011)	(651011)	(651011)	(651011)
U12	I.C. EEPROM-4K Byte Serial	1	(651012)	(651012)	(651012)	(651012)	(651012)	(651012)	(651012)	(651012)
U13	I.C. 8 Bit Input Mux	1	(651014)	(651014)	(651014)	(651014)	(651014)	(651014)	(651014)	(651014)
B1	Battery, Lithium, 3V	1	(651009)	(651009)	(651009)	(651009)	(651009)	(651009)	(651009)	(651009)
(B1)	Holder, Battery	1	(651010)	(651010)	(651010)	(651010)	(651010)	(651010)	(651010)	(651010)
Y1	Resonator, Ceramic, 8 Mhz	1	(651013)	(651013)	(651013)	(651013)	(651013)	(651013)	(651013)	(651013)
RPF1	Polyswitch, RXE, 60V, .65A	1	(651055-08)	(651055-08)	(651055-08)	(651055-08)	(651055-08)	(651055-08)	(651055-08)	(651055-08)
R92	Resistor 1/4W, 8.2k Ohms	1	(650079-95)	(650079-95)	(650079-95)	(650079-95)	(650079-95)	(650079-95)	(650079-95)	(650079-95)
S9	Switch, Slide	1	(651292)	(651292)	(651292)	(651292)	(651292)	(651292)	(651292)	(651292)
C26	Capacitor, NPO 220pF, 100V	1	(650883-17)	(650883-17)	(650883-17)	(650883-17)	(650883-17)	(650883-17)	(650883-17)	(650883-17)
R76	Resistor 1/4W, 2k Ohms	1	(650079-80)	(650079-80)	(650079-80)	(650079-80)	(650079-80)	(650079-80)	(650079-80)	(650079-80)
LCD1	Liquid Crystal Display	1	(635361)	(635361)	(635361)	(635361)	(635361)	(635361)	(635361)	(635361)
(LCD1)	Spacer, LCD	1	(635339)	(635339)	(635339)	(635339)	(635339)	(635339)	(635339)	(635339)
J3	Header, Right Angle .100 Centers	1	(650530-07)	(650530-07)	(650530-07)	(650530-07)	(650530-07)	(650530-07)	(650530-07)	(650530-07)
J1	Transition Socket, 10 Pins	1	(651607)	(651607)	(651607)	(651607)	(651607)	(651607)	(651607)	(651607)
S8	Toggle Switch	1	(651606)	(651606)	(651606)	(651606)	(651606)	(651606)	(651606)	(651606)
P1	Ribbon Cable Assembly	1	(635621)	(635621)	(635621)	(635621)	(635621)	(635621)	(635621)	(635621)
U14	Crystal Osc. SMT Quartz, 32.768Khz	1	(651665)	(651665)	(651665)	(651665)	(651665)	(651665)	(651665)	(651665)
59	Terminal PWB Assy ESP-MC & -P		635110-01	635110-02	635110-03	635110-04	635110-13	635110-05	635110-14	635110-06
LP43	MOV 50V, 2500A	1	(651272)	(651272)	(651272)	(651272)	(651272)	(651272)	(651272)	(651272)
C1-8,41,42	Capacitor .01uF, 100V	10	(650882-01)	(650882-01)	(650882-01)	(650882-01)	(650882-01)	(650882-01)	(650882-01)	(650882-01)
C9-C12	Capacitor .01uF, 100V	4	-	(650882-01)	(650882-01)	(650882-01)	(650882-01)	(650882-01)	(650882-01)	(650882-01)
C13-16	Capacitor .01uF, 100V	4	-	-	(650882-01)	(650882-01)	(650882-01)	(650882-01)	(650882-01)	(650882-01)
C17-24	Capacitor .01uF, 100V	8	-	-	-	(650882-01)	(650882-01)	(650882-01)	(650882-01)	(650882-01)
C25-28	Capacitor .01uF, 100V	4	-	-	-	-	(650882-01)	(650882-01)	(650882-01)	(650882-01)
C29-32	Capacitor .01uF, 100V	4	-	-	-	-	-	(650882-01)	(650882-01)	(650882-01)
C33-36	Capacitor .01uF, 100V	4	-	-	-	-	-	-	(650882-01)	(650882-01)
C37-40	Capacitor .01uF, 100V	4	-	-	-	-	-	-	-	(650882-01)

Note: Part numbers enclosed in brackets () are not available individually, but may be sold in assemblies or kits.



ESP-8MC / ESP-12MC / ESP-16MC / ESP-24MC / ESP-32MC / ESP-40MC
ESP-8MC-P/ ESP-12MC-P/ ESP-16MC-P/ ESP-24MC-P / ESP-32MC-P/ ESP-40MC-P

Table with columns: Ref, Description, Qty, ESP-8MC, ESP-12MC, ESP-16MC, ESP-24MC, ESP-28MC, ESP-32MC, ESP-36MC, ESP-40MC. Rows include various components like Inductors, Movers, Triacs, Resistors, Headers, Terminal Blocks, Fuses, Gas Tubes, Connectors, and Sensor Wires.

Note: Part numbers enclosed in brackets () are not available individually, but may be sold in assemblies or kits.



ESP-8MC / ESP-12MC / ESP-16MC / ESP-24MC / ESP-32MC / ESP-40MC

ESP-8MC-P/ ESP-12MC-P/ ESP-16MC-P/ ESP-24MC-P / ESP-32MC-P/ ESP-40MC-P

Ref	Description	Qty	ESP-8MC ESP-8MC-P	ESP-12MC ESP-12MC-P	ESP-16MC ESP-16MC-P	ESP-24MC ESP-24MC-P	ESP-28MC - ESP-32MC-P	ESP-32MC - ESP-32MC-P	ESP-36MC - ESP-40MC-P	ESP-40MC - ESP-40MC-P
65	Card, Customer Registration	1	632354	632354	632354	632354	632354	632354	632354	632354
66	Battery Nicad	1	650929	650929	650929	650929	650929	650929	650929	650929
67	Wire Nuts Kit	1	(634613)	(634613)	(634613)	(634613)	(634613)	(634613)	(634613)	(634613)
68	Mounting Screw Kit	1	(633182)	(633182)	(633182)	(633182)	(633182)	(633182)	(633182)	(633182)
69	Mounting Plate Assy.	1	(635005-02)	(635005-02)	(635005-02)	(635005-02)	(635005-02)	(635005-02)	(635005-02)	(635005-02)
ESP-MC-P CABINET & DOOR ASSEMBLY COMPLETE			634827	634827	634827	634827	-	634827	-	634827
70	ESP-MC-P Cabinet Assembly	1	(634381)	(634381)	(634381)	(634381)	-	(634381)	-	(634381)
71	Gasket Foam	1	(633402)	(633402)	(633402)	(633402)	-	(633402)	-	(633402)
72	Hinge, Stamping	2	(633403)	(633403)	(633403)	(633403)	-	(633403)	-	(633403)
73	Hasp Door Lock	1	(633405)	(633405)	(633405)	(633405)	-	(633405)	-	(633405)
74	Bracket Wall Mount	1	(633406)	(633406)	(633406)	(633406)	-	(633406)	-	(633406)
75	Wiring Insulator Compartment	1	(633407)	(633407)	(633407)	(633407)	-	(633407)	-	(633407)
76	Enclosure Cabinet Bottom	1	(633780-01)	(633780-01)	(633780-01)	(633780-01)	-	(633780-01)	-	(633780-01)
77	ESP-MC-P Bracket	1	(634291)	(634291)	(634291)	(634291)	-	(634291)	-	(634291)
78	Washer, Lock #8, Ext. Tooth	4	(650162-03)	(650162-03)	(650162-03)	(650162-03)	-	(650162-03)	-	(650162-03)
79	Screw, Phillips, Hi-Lo, #1/4-18x.5	4	(650183-78)	(650183-78)	(650183-78)	(650183-78)	-	(650183-78)	-	(650183-78)
80	Wire Clip	1	(651446-02)	(651446-02)	(651446-02)	(651446-02)	-	(651446-02)	-	(651446-02)
81	Corrosion Inhibitor Foam	1	(651331)	(651331)	(651331)	(651331)	-	(651331)	-	(651331)
82	Bracket, XFMR	2	(635112)	(635112)	(635112)	(635112)	-	(635112)	-	(635112)
83	Screw, Phillips Hi-Lo, #10-16x 1/2	2	(650249-16)	(650249-16)	(650249-16)	(650249-16)	-	(650249-16)	-	(650249-16)
84	Screw, Phillips Hi-Lo, #7-19x 1/2	3	(650183-63)	(650183-63)	(650183-63)	(650183-63)	-	(650183-63)	-	(650183-63)
85	Screw, Phillips Hi-Lo, #1/4-15x.5	3	(650249-71)	(650249-71)	(650249-71)	(650249-71)	-	(650249-71)	-	(650249-71)
86	Screw, Phillips Hi-Lo, #5-20x 3/8	5	(650563-36)	(650563-36)	(650563-36)	(650563-36)	-	(650563-36)	-	(650563-36)
87	ESP-MC DOOR ASSEMBLY	1	(634384)	(634384)	(634384)	(634384)	-	(634384)	-	(634384)
88	Enclosure, Cabinet Top	1	(633781-01)	(633781-01)	(633781-01)	(633781-01)	-	(633781-01)	-	(633781-01)
89	Pocket, Cabinet Top	1	(633783-01)	(633783-01)	(633783-01)	(633783-01)	-	(633783-01)	-	(633783-01)
90	Quick Programing Guide ESP-MC-P	1	634389	634389	634389	634389	-	634389	-	634389
91	Hinge Piano Wire	1	(633826)	(633826)	(633826)	(633826)	-	(633826)	-	(633826)
92	Screw, Phillips, Hi-Lo #6-19x7/16	4	(650563-47)	(650563-47)	(650563-47)	(650563-47)	-	(650563-47)	-	(650563-47)
93	ESP-MC-P FRONT PANEL ASSY	1	K01614	K01714	K01814	K01914	-	K02114	-	K02214
94	Front Panel	1	(634209)	(634209)	(634209)	(634209)	-	(634209)	-	(634209)
95	Back Cover	1	(631920)	(631920)	(631920)	(631920)	-	(631920)	-	(631920)
96	Shield Assembly	1	(632906)	(632906)	(632906)	(632906)	-	(632906)	-	(632906)
97	Control Board Assembly	1	(634227-01)	(634227-02)	(634227-03)	(634227-04)	-	(634227-05)	-	(634227-06)
98	Overlay	1	(633134-01)	(633134-02)	(633134-03)	(633134-04)	-	(633134-05)	-	(633134-06)
99	Knob, Function Selector	1	630946	630946	630946	630946	-	630946	-	630946
100	Button, TM PB Switch	1	(631136)	(631136)	(631136)	(631136)	-	(631136)	-	(631136)
101	Switch Actuator	1	(632510)	(632510)	(632510)	(632510)	-	(632510)	-	(632510)
102	LCD Lens	1	632700	632700	632700	632700	-	632700	-	632700
103	Screw, Phillips, Hi-Lo #4-24x5/16	5	(650563-23)	(650563-23)	(650563-23)	(650563-23)	-	(650563-23)	-	(650563-23)
104	Keypad Silicone	1	(632908)	(632908)	(632908)	(632908)	-	(632908)	-	(632908)
105	Enclosure, XFMR Assy. ESP-MC-P	1	(634383-02)	(634383-02)	(634383-02)	(634383-02)	-	(634383-02)	-	(634383-02)
106	Enclosure, XFMR Top	1	(633777)	(633777)	(633777)	(633777)	-	(633777)	-	(633777)
107	Cover, High Voltage Board	1	(633778)	(633778)	(633778)	(633778)	-	(633778)	-	(633778)
108	Cover, Fuse PCB	1	(633779)	(633779)	(633779)	(633779)	-	(633779)	-	(633779)
109	Enclosure, XFMR Bottom	1	(633822)	(633822)	(633822)	(633822)	-	(633822)	-	(633822)
110	XFMR Power 120, 230VAC, 50/60Hz	1	(634238)	(634238)	(634238)	(634238)	-	(634238)	-	(634238)
111	Screw, Self Taping #6-20x.625	2	(650104-24)	(650104-24)	(650104-24)	(650104-24)	-	(650104-24)	-	(650104-24)
112	Close End, Splice	1	(650828)	(650828)	(650828)	(650828)	-	(650828)	-	(650828)
113	Terminal Block	1	(651382)	(651382)	(651382)	(651382)	-	(651382)	-	(651382)
Cable Assemblies ESP-MC-P										
114	Cable, Sensor Assembly	1	(632048-01)	(632048-01)	(632048-01)	(632048-01)	-	(632048-01)	-	(632048-01)
115	Cable, Harness Assembly	1	(633090)	(633090)	(633090)	(633090)	-	(633090)	-	(633090)
116	Control PWB Assembly ESP-MC-P	1	(634227-01)	(634227-02)	(634227-03)	(634227-04)	-	(634227-05)	-	(634227-06)
C3,8,9,10,14	Capacitor, .1uF, 50V	9	(650085-55)	(650085-55)	(650085-55)	(650085-55)	-	(650085-55)	-	(650085-55)
16,17,20,24	Capacitor, .1uF, 50V	1	-	(650085-55)	(650085-55)	(650085-55)	-	(650085-55)	-	(650085-55)

Note: Part numbers enclosed in brackets () are not available individually, but may be sold in assemblies or kits.



ESP-8MC / ESP-12MC / ESP-16MC / ESP-24MC / ESP-32MC / ESP-40MC
 ESP-8MC-P/ ESP-12MC-P/ ESP-16MC-P/ ESP-24MC-P / ESP-32MC-P/ ESP-40MC-P

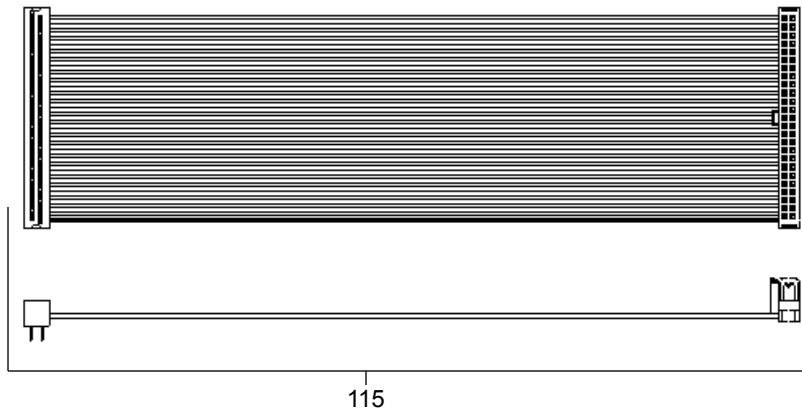
Ref	Description	Qty.	ESP-8MC-P	ESP-12MC-P	ESP-16MC-P	ESP-24MC-P	- ESP-32MC-P	- ESP-40MC-P
C22	Capacitor, 1uF, 50V	1	-	-	-	(650085-55)	- (650085-55)	- (650085-55)
C18	Capacitor, 1uF, 50V	1	-	-	-	-	- (650085-55)	- (650085-55)
C19	Capacitor, 1uF, 50V	1	-	-	-	-	-	- (650085-55)
C1,2,11,23,25	Capacitor, .01uF, 100V	5	(650882-01)	(650882-01)	(650882-01)	(650882-01)	- (650882-01)	- (650882-01)
C4	Capacitor Elect., 1000uF, 25V	1	(651054-12)	(651054-12)	(651054-12)	(651054-12)	- (651054-12)	- (651054-12)
C5	Capacitor Elect. 330uF, 25V	1	(650624)	(650624)	(650624)	(650624)	- (650624)	- (650624)
C6	Capacitor NPO	1	(650883-13)	(650883-13)	(650883-13)	(650883-13)	- (650883-13)	- (650883-13)
C7,15	Capacitor Elect. 47uF, 10V	2	(650044-03)	(650044-03)	(650044-03)	(650044-03)	- (650044-03)	- (650044-03)
C12	Capacitor, 6pF, 50V	1	(650012-04)	(650012-04)	(650012-04)	(650012-04)	- (650012-04)	- (650012-04)
CR1,5,19	Diode, 1N4002	6	(650077-02)	(650077-02)	(650077-02)	(650077-02)	- (650077-02)	- (650077-02)
VR1	Diode Zener, 1N5232B	1	(650038-71)	(650038-71)	(650038-71)	(650038-71)	- (650038-71)	- (650038-71)
CR6	Diode Switch, 1N4148	1	650037-01	650037-01	650037-01	650037-01	- 650037-01	- 650037-01
CR7	Diode Switch, 1N4148	1	-	650037-01	-	650037-01	-	- 650037-01
CR8	Diode Switch, 1N4148	1	-	-	650037-01	650037-01	-	-
CR9	Diode Switch, 1N4148	1	-	-	-	-	650037-01	- 650037-01
CR10	Diode Switch, 1N4148	1	-	-	-	-	-	-
CR11,18	Diode Switch, 1N4148	8	650037-01	650037-01	650037-01	650037-01	- 650037-01	- 650037-01
DS1-DS8	Led, Red .200 Centers	8	650910	650910	650910	650910	- 650910	- 650910
J1	Header, Polzd, .100 Centers, 6 Pins	1	(651005-06)	(651005-06)	(651005-06)	(651005-06)	- (651005-06)	- (651005-06)
(J2)	Eyelet, Spring	1	(650985)	(650985)	(650985)	(650985)	- (650985)	- (650985)
J2	Spring, Shield .70 Long	1	(632898-01)	(632898-01)	(632898-01)	(632898-01)	- (632898-01)	- (632898-01)
LCD1	Liquid Crystal Display	1	(633087)	(633087)	(633087)	(633087)	- (633087)	- (633087)
(LCD1)	Spacer, LCD	1	(632046)	(632046)	(632046)	(632046)	- (632046)	- (632046)
L1-L7	Inductor Ferrite	7	650300-05	650300-05	650300-05	650300-05	- 650300-05	- 650300-05
P2	Sensor Cable	1	(632048)	(632048)	(632048)	(632048)	- (632048)	- (632048)
P1	Ribbon Cable Assembly	1	(633090)	(633090)	(633090)	(633090)	- (633090)	- (633090)
Q1,Q2	Transistor PNP, PN200	2	650369	650369	650369	650369	- 650369	- 650369
Q3,Q4	Transistor PNP 625mW, MPS4124	2	650367	650367	650367	650367	- 650367	- 650367
R2	Resistor 1/4W, 3.3k Ohms	1	(650079-85)	(650079-85)	(650079-85)	(650079-85)	- (650079-85)	- (650079-85)
R19-91	Resistor 1/4W, 10k Ohms	2	(650079-97)	(650079-97)	(650079-97)	(650079-97)	- (650079-97)	- (650079-97)
R3,74,75,96,97	Resistor 1/4W, 220k Ohms	5	(650080-30)	(650080-30)	(650080-30)	(650080-30)	- (650080-30)	- (650080-30)
R20,21,22,84,								
87,88,89,90	Resistor 1/4W, 4.7k Ohms	8	650079-89	650079-89	650079-89	650079-89	- 650079-89	- 650079-89
R4-16,73,81,								
82,93,94	Resistor 1/4W, 100k Ohms	18	(650080-22)	(650080-22)	(650080-22)	(650080-22)	- (650080-22)	- (650080-22)
R18,80,83,86	Resistor 1/4W, 47k Ohms	4	(650080-14)	(650080-14)	(650080-14)	(650080-14)	- (650080-14)	- (650080-14)
R95,R17	Resistor 1/2W, 1k Ohm	2	(650079-73)	(650079-73)	(650079-73)	(650079-73)	- (650079-73)	- (650079-73)
R23,R85	Resistor 1/4W, 10 Ohms	2	(650079-25)	(650079-25)	(650079-25)	(650079-25)	- (650079-25)	- (650079-25)
R25-R31	Resistor 1/4W, 470 Ohms	7	(650079-65)	(650079-65)	(650079-65)	(650079-65)	- (650079-65)	- (650079-65)
R24,32,								
98,49,56	Resistor 1/4W, 150 Ohms	11	(650079-53)	(650079-53)	(650079-53)	(650079-53)	- (650079-53)	- (650079-53)
R57-60	Resistor 1/4W, 150 Ohms	4	-	(650079-53)	(650079-53)	(650079-53)	- (650079-53)	- (650079-53)
R61-64	Resistor 1/4W, 150 Ohms	4	-	-	(650079-53)	(650079-53)	- (650079-53)	- (650079-53)
R65-72	Resistor 1/4W, 150 Ohms	8	-	-	-	(650079-53)	- (650079-53)	- (650079-53)
R33-36	Resistor 1/4W, 150 Ohms	4	-	-	-	-	- (650079-53)	- (650079-53)
R37-40	Resistor 1/4W, 150 Ohms	4	-	-	-	-	- (650079-53)	- (650079-53)
R41-44	Resistor 1/4W, 150 Ohms	4	-	-	-	-	-	- (650079-53)
R45-48	Resistor 1/4W, 150 Ohms	4	-	-	-	-	-	- (650079-53)
R78,79	Resistor 1/2W, 1k Ohm	2	(650202-73)	(650202-73)	(650202-73)	(650202-73)	- (650202-73)	- (650202-73)
S8	Switch, Slide, 4 Positions	1	(630651)	(630651)	(630651)	(630651)	- (630651)	- (630651)
S2-S6	Switch, Push Button	5	(650748)	(650748)	(650748)	(650748)	- (650748)	- (650748)
TS1	Transorb B-Directional P6KE6.8	1	(650595-01)	(650595-01)	(650595-01)	(650595-01)	- (650595-01)	- (650595-01)
U1	Microcomp, Toshiba, OTP	1	(633088)	(633088)	(633088)	(633088)	- (633088)	- (633088)
U2	Regulator, Low Dropout, L4947H	1	(650962)	(650962)	(650962)	(650962)	- (650962)	- (650962)
(U2)	Rivet, Blind Dome .125 Dia.	1	(650139-05)	(650139-05)	(650139-05)	(650139-05)	- (650139-05)	- (650139-05)
(U2)	Washer, Flat #5	1	(650023-03)	(650023-03)	(650023-03)	(650023-03)	- (650023-03)	- (650023-03)
U3	I.C. Quad OP AMP, LM324	1	650358	650358	650358	650358	- 650358	- 650358

Note: Part numbers enclosed in brackets () are not available individually, but may be sold in assemblies or kits.

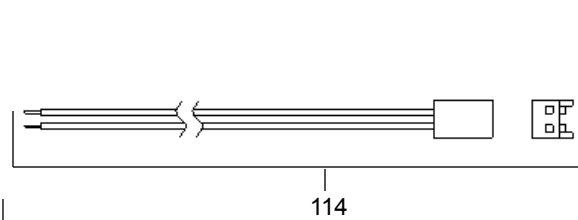
ESP-8MC / ESP-12MC / ESP-16MC / ESP-24MC / ESP-32MC / ESP-40MC

ESP-8MC-P / ESP-12MC-P / ESP-16MC-P / ESP-24MC-P / ESP-32MC-P / ESP-40MC-P

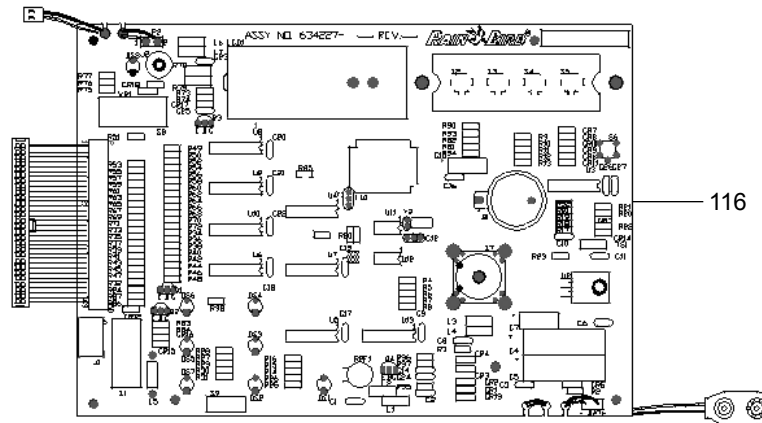
ESP-MC-P Cable Harness Assembly



ESP-MC-P Sensor Cable Assembly



ESP-MC-P Control PWB Assembly



Ref	Description	Qty.	ESP-8MC-P	ESP-12MC-P	ESP-16MC-P	ESP-24MC-P	- ESP-32MC-P	- ESP-40MC-P
U4	3-8 Line Decoder, 74HC138	1	650699	650699	650699	650699	- 650699	- 650699
U5,U8	8 Bit Addressable Latch, 74HC259	2	650889	650889	650889	650889	- 650889	- 650889
U9	8 Bit Addressable Latch, 74HC259	1	-	650889	650889	650889	- 650889	- 650889
U10	8 Bit Addressable Latch, 74HC259	1	-	-	-	650889	- 650889	- 650889
U6	8 Bit Addressable Latch, 74HC259	1	-	-	-	-	- 650889	- 650889
U7	8 Bit Addressable Latch, 74HC259	1	-	-	-	-	-	- 650890
U11	I.C. Real Time Clock, DS1302	1	(651011)	(651011)	(651011)	(651011)	- (651011)	- (651011)
U12	I.C. EEPROM-4K Byte Serial	1	(651012)	(651012)	(651012)	(651012)	- (651012)	- (651012)
U13	I.C. 8 Bit Input Mux	1	(651014)	(651014)	(651014)	(651014)	- (651014)	- (651014)
B1	Battery, Lithium, 3V	1	(651009)	(651009)	(651009)	(651009)	- (651009)	- (651009)
(B1)	Holder, Battery	1	(651010)	(651010)	(651010)	(651010)	- (651010)	- (651010)
Y1	Resonator, Ceramic, 8 Mhz	1	(651013)	(651013)	(651013)	(651013)	- (651013)	- (651013)
Y2	Crystal Quartz	1	(650484)	(650484)	(650484)	(650484)	- (650484)	- (650484)
BAT	Battery Snap	1	(650075)	(650075)	(650075)	(650075)	- (650075)	- (650075)
RPF1	Polyswitch, RXE, 60V, .65A	1	(651055-08)	(651055-08)	(651055-08)	(651055-08)	- (651055-08)	- (651055-08)
R92	Resistor 1/4W, 8.2k Ohms	1	(650079-95)	(650079-95)	(650079-95)	(650079-95)	- (650079-95)	- (650079-95)
S9	Switch, Slide	1	(651292)	(651292)	(651292)	(651292)	- (651292)	- (651292)
J2	Spring, Shield .44 Long	1	(632898-02)	(632898-02)	(632898-02)	(632898-02)	- (632898-02)	- (632898-02)
C26	Capacitor, NPO 220pF, 100V	1	(650883-17)	(650883-17)	(650883-17)	(650883-17)	- (650883-17)	- (650883-17)
R76	Resistor 1/dW, 2k Ohms	1	(650079-80)	(650079-80)	(650079-80)	(650079-80)	- (650079-80)	- (650079-80)
C27	Capacitor, .1uF, V	1	(650085-55)	(650085-55)	(650085-55)	(650085-55)	- (650085-55)	- (650085-55)
S7	Switch, Rotary, 24 Positions	1	(635730)	(635730)	(635730)	(635730)	- (635730)	- (635730)

Note: Part numbers enclosed in brackets () are not available individually, but may be sold in assemblies or kits.